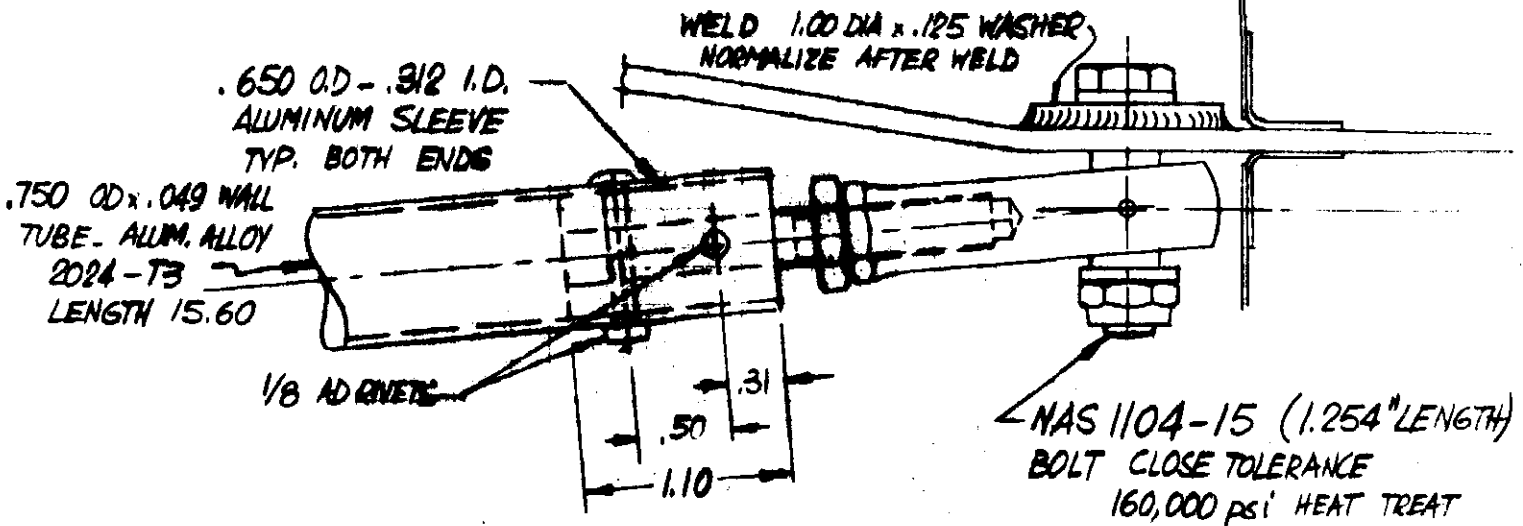


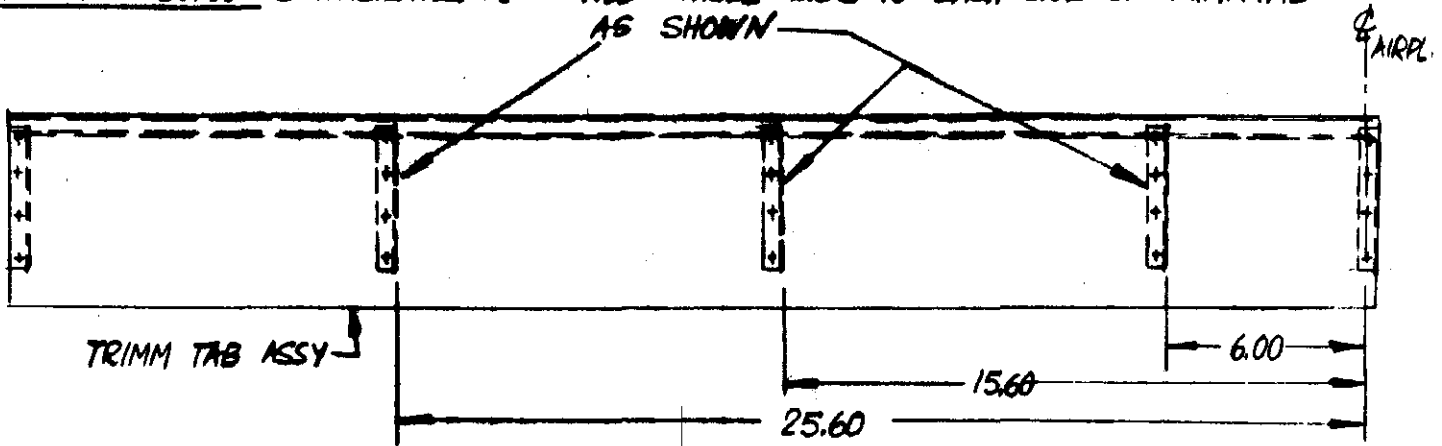
ENGINEERING CHANGE NOTICE #1 (ALL CHANGES MANDATORY)

DRAWING 1-50,002 - AILERON ROD, BELLCRANK & BALANCE

ADD CALL OUT FOR ALL PIANO HINGES: MAKE FROM MS 20001-4 - PIANO HINGE (TYPICAL ALSO FOR FLAP PIANO HINGES).



DRAWING 1-20,003 - STABILATOR . ADD THREE RIBS TO EACH SIDE OF TRIMM TAB AS SHOWN



DRAWING 1-10,001 - WING ASSY: a) CORRECT NOTE IN THE UPPER RIGHT CORNER AS FOLLOWS:

WITH THE AILERON BELLCRANK IN NEUTRAL POSITION

b) - ELIMINATE THE STYROFOAM RIBS FROM THE FLAP. USE INSTEAD .016 SHEET METAL RIBS SPACED AS SHOWN:

