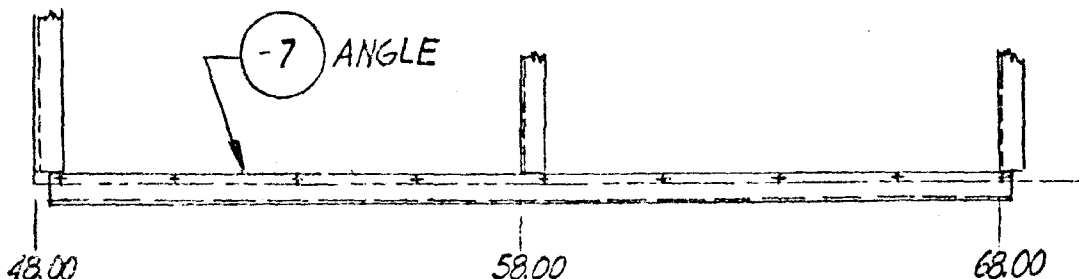


PREPARED	NAME L. Pazmany	Mar. 7-73	PAZMANY AIRCRAFT CORPORATION — SAN DIEGO — CALIFORNIA —	MODEL NO.	PL-4A
CHECKED			ENGINEERING CHANGE NOTICE #1	REPORT NO.	
APPROVED				PAGE NO.	1

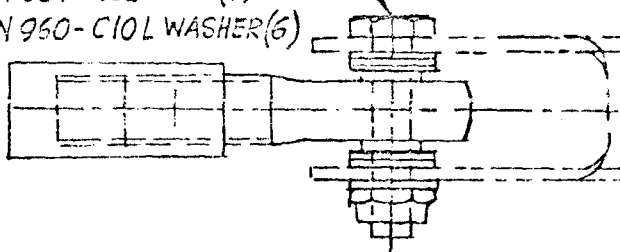
DWG 4-10-001 - WING ASSEMBLY - (OPTIONAL CHANGE)



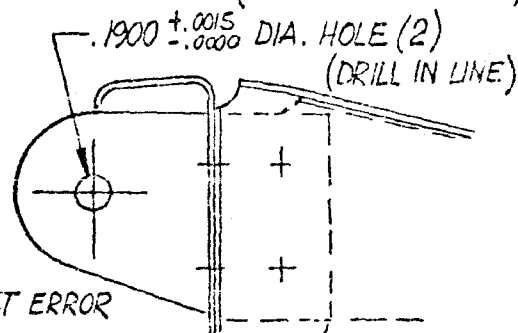
DURING FLIGHT TESTING IT WAS FOUND THAT THE LEFT WING DROPPED FIRST CONSISTENTLY. THIS COULD BE A RESULT OF A MISALIGNMENT OF THE WINGS. THIS TENDENCY WAS CORRECTED BY ADDING ANOTHER STALL STRIP IN EACH WING PANEL AS SHOWN ABOVE. THIS COULD BE A PARTICULAR SITUATION WITH THE PROTOTYPE ONLY, AND MAY NOT BE REQUIRED IN YOUR AIRPLANE. IF YOU FIND THE SAME SITUATION IN YOUR AIRPLANE, INSTALL STALL STRIPS AS SHOWN ABOVE BUT ONLY TAPPED TO BEGIN. RIVET STALL STRIPS IF IT HELPED.

DWG 4-50-003 - AILERON CONTROL INSTALL.

NAS 1103-12 BOLT (1) (MANDATORY CHANGE)
AN 364-1022 NUT (1) TO CORRECT ERROR
AN 950-C10L WASHER (6)

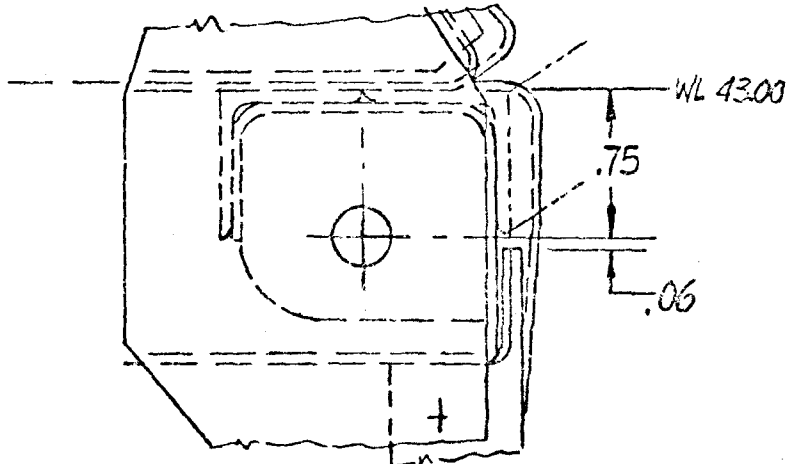


DWG. 4-10-004 - AILERON - (MANDATORY CHANGE)



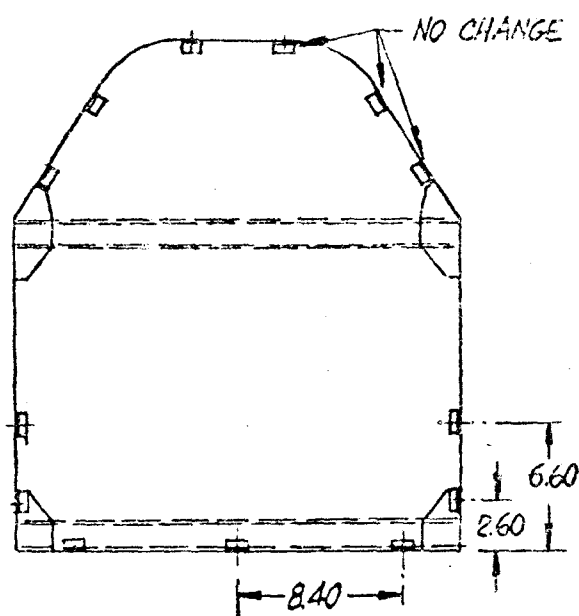
TO CORRECT ERROR

DWG. 4-30-002 - FIREWALL ASSEMBLY.



(MANDATORY CHANGE) - TO CORRECT ERROR DRAWING WAS OUT OF SCALE. LOCATION OF HOLE FOR ENGINE MOUNT BOLT WAS SHOW AT .67 BELOW WL 43.00. ALSO CORRECT LOCATION OF THIS HOLE IN DETAIL OF -31 GUSSET

DWG. 4-30-002 - FIREWALL ASSEMBLY



(MANDATORY CHANGE) - TO CORRECT ERROR.

THE LOCATION OF -19 ANGLES WAS CHANGED AT THE TIME OF INSTALLING THE COWL. THIS CHANGE WAS NOT INCORPORATED IN THE FIREWALL DWG. THE ANGLES -19 AND THE CAMLOC RECEPTACLES FOR THE UPPER COWL ARE NOT CHANGED. THE ANGLES -19 FOR THE BOTTOM COWL ARE RELOCATED AS SHOWN. USE NAS 697-A08K NUTPLATES (7 PLACES) INSTEAD OF CAMLOCKS FOR THE BOTTOM COWL.