

PAZMANY AIRCRAFT CORPORATION  
 P. O. BOX 80051 • SAN DIEGO, CALIF. 92138

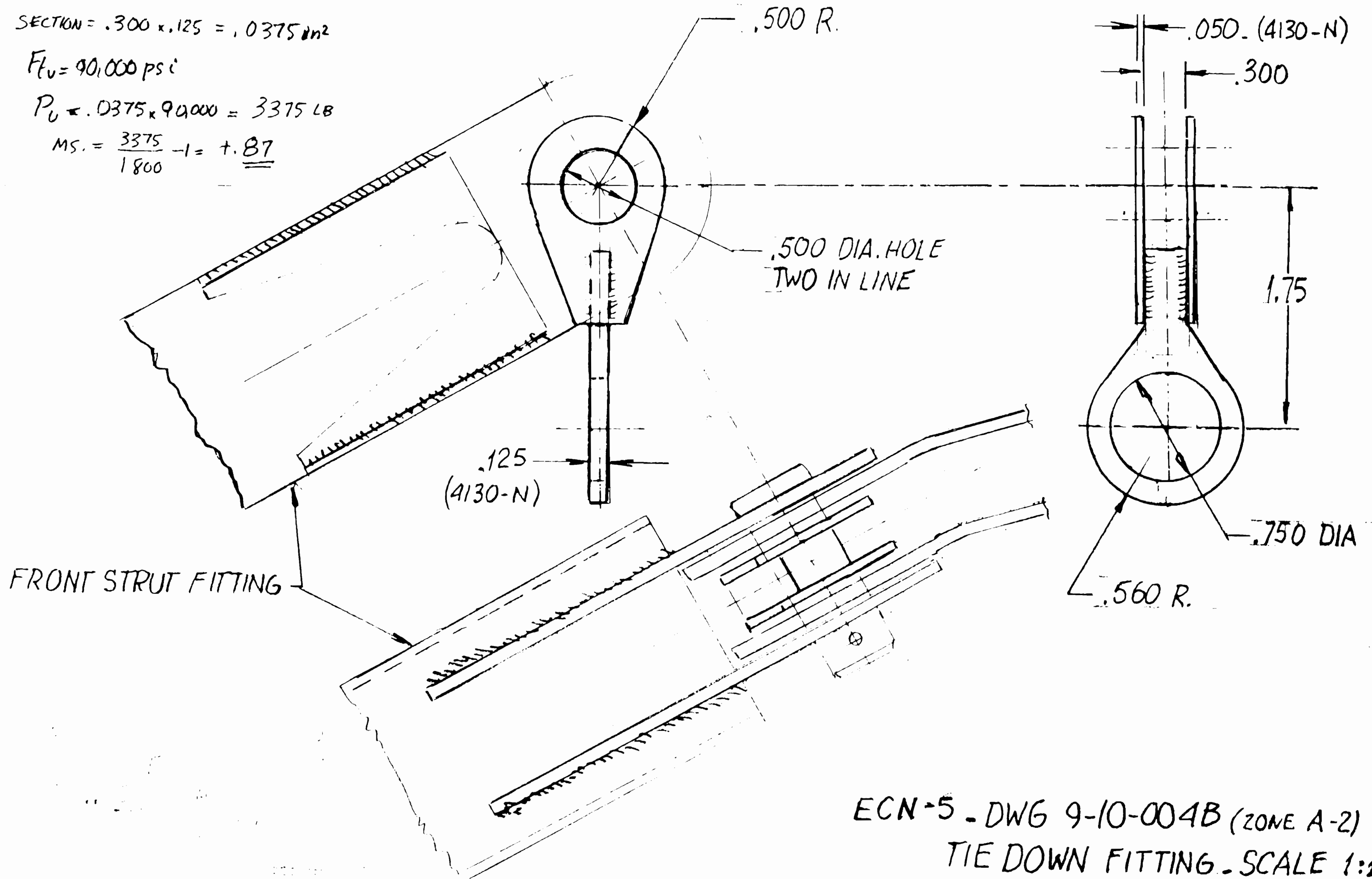
ULT. TENSION ALLOWABLE - G.W = 1800 LB

SECTION = .300 x .125 = .0375 in<sup>2</sup>

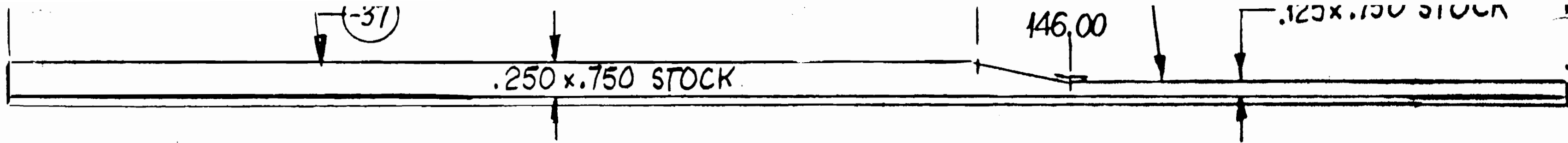
$F_{tu} = 90,000 \text{ psi}$

$P_u = .0375 \times 90,000 = 3375 \text{ LB}$

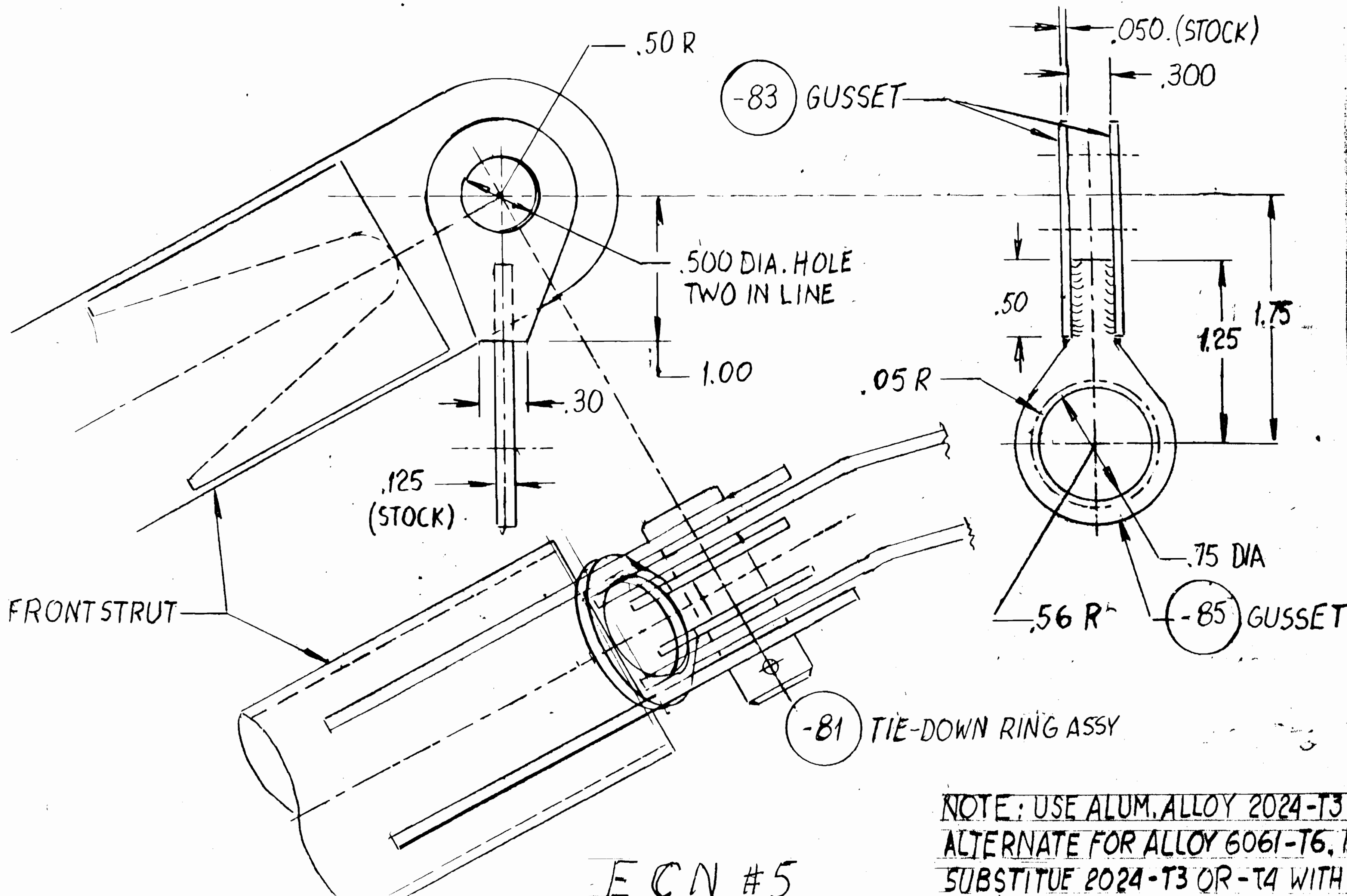
$MS. = \frac{3375}{1800} - 1 = +.87$



ECN-5 - DWG 9-10-004B (ZONE A-2)  
 TIE DOWN FITTING - SCALE 1:1



SPAR CAPS DIMENSIONS - VERTICAL SCALE: 1/1 - HORIZONTAL SCALE 1/20



NOTE: USE ALUM. ALLOY 2024-T3 OR T4 AS A  
 ALTERNATE FOR ALLOY 6061-T6. DO NOT  
 SUBSTITUTE 2024-T3 OR T4 WITH 6061-T6

ECN #5

