

PAZMANY AIRCRAFT CORPORATION

P. O. BOX 80051 • SAN DIEGO, CALIF. 92138

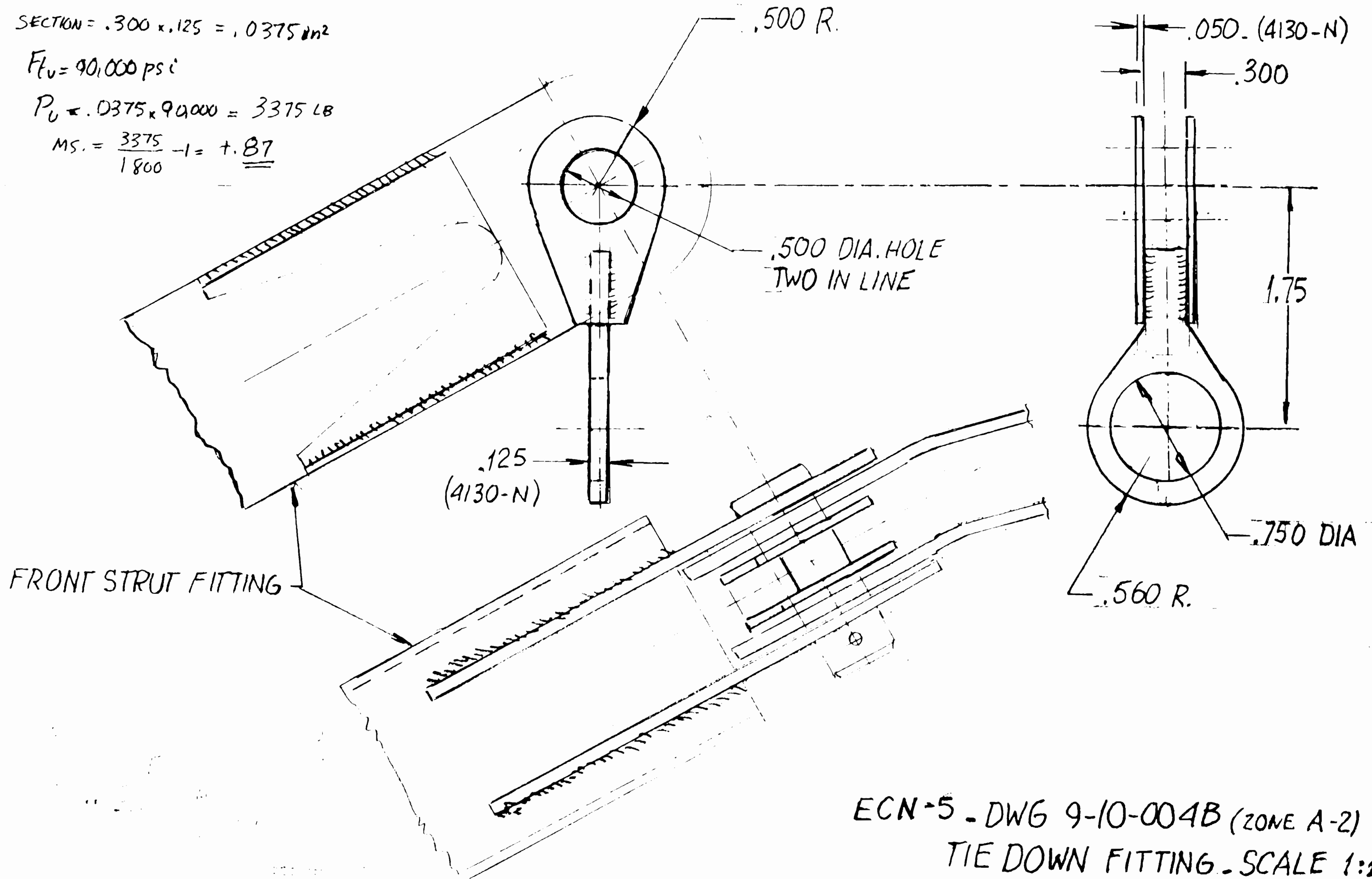
ULT. TENSION ALLOWABLE - G.W = 1800 LB

SECTION = .300 x .125 = .0375 in²

$F_{tu} = 90,000 \text{ psi}$

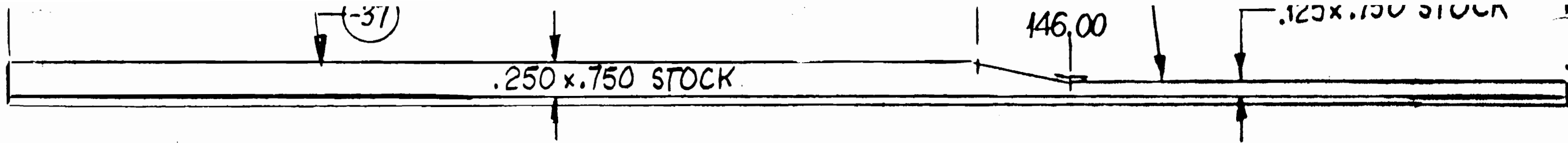
$P_u = .0375 \times 90,000 = 3375 \text{ LB}$

$MS. = \frac{3375}{1800} - 1 = +.87$

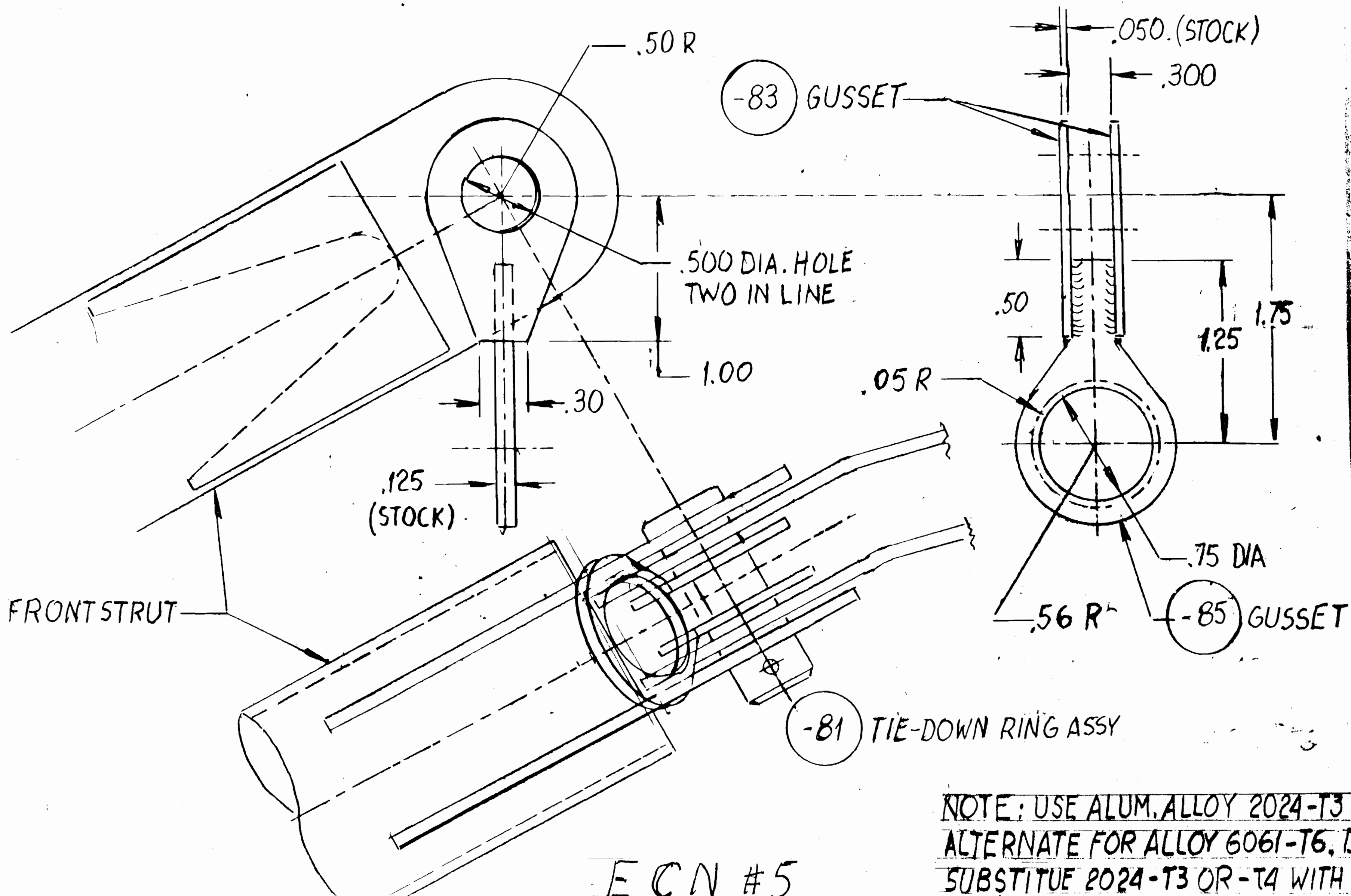


ECN-5 - DWG 9-10-004B (ZONE A-2)
TIE DOWN FITTING - SCALE 1:1

ECN #5
PAGE 1

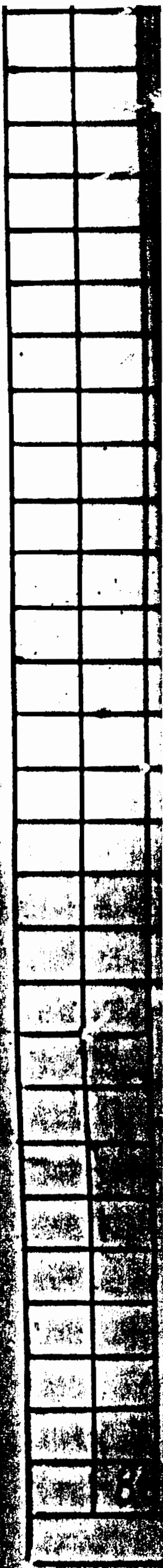


SPAR CAPS DIMENSIONS - VERTICAL SCALE: 1/1 - HORIZONTAL SCALE 1/20



NOTE: USE ALUM. ALLOY 2024-T3 OR T4 AS ALTERNATE FOR ALLOY 6061-T6. DO NOT SUBSTITUTE 2024-T3 OR T4 WITH 6061-T6.

ECN #5



3